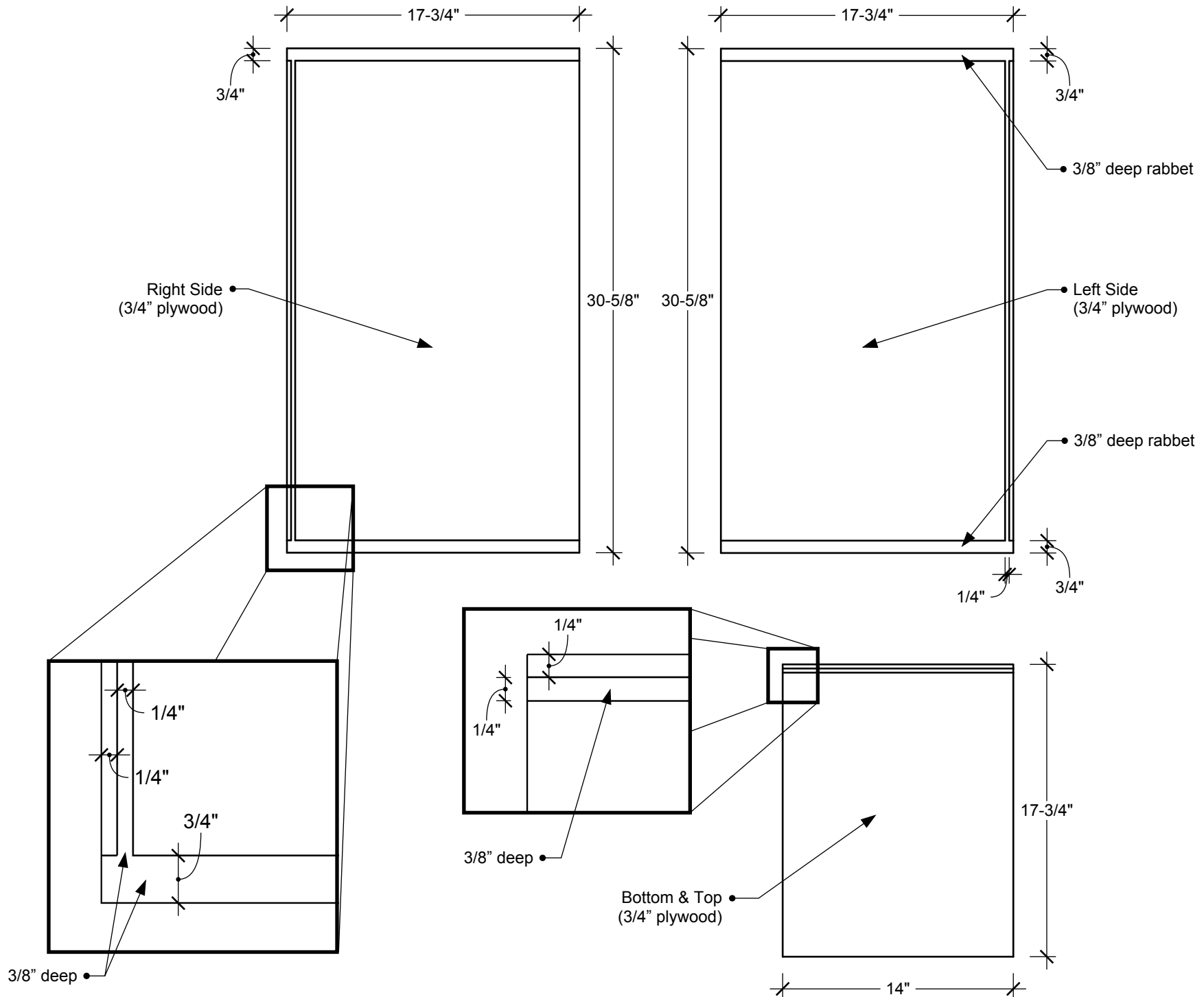


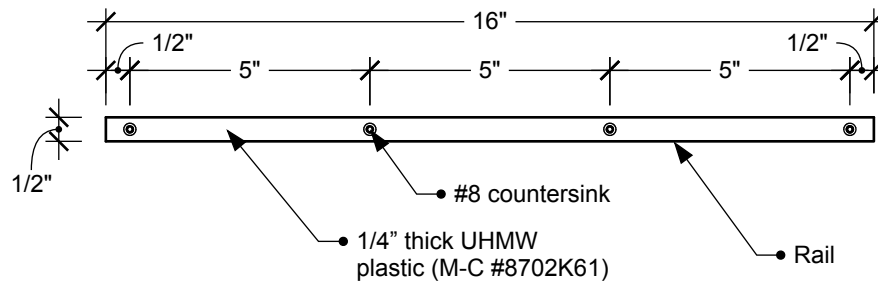
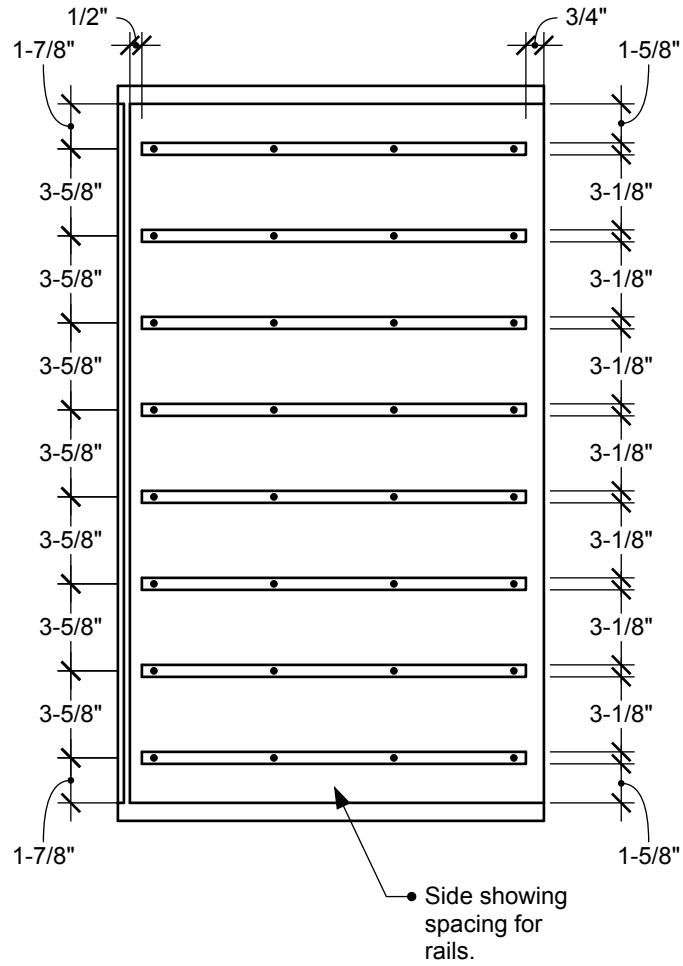
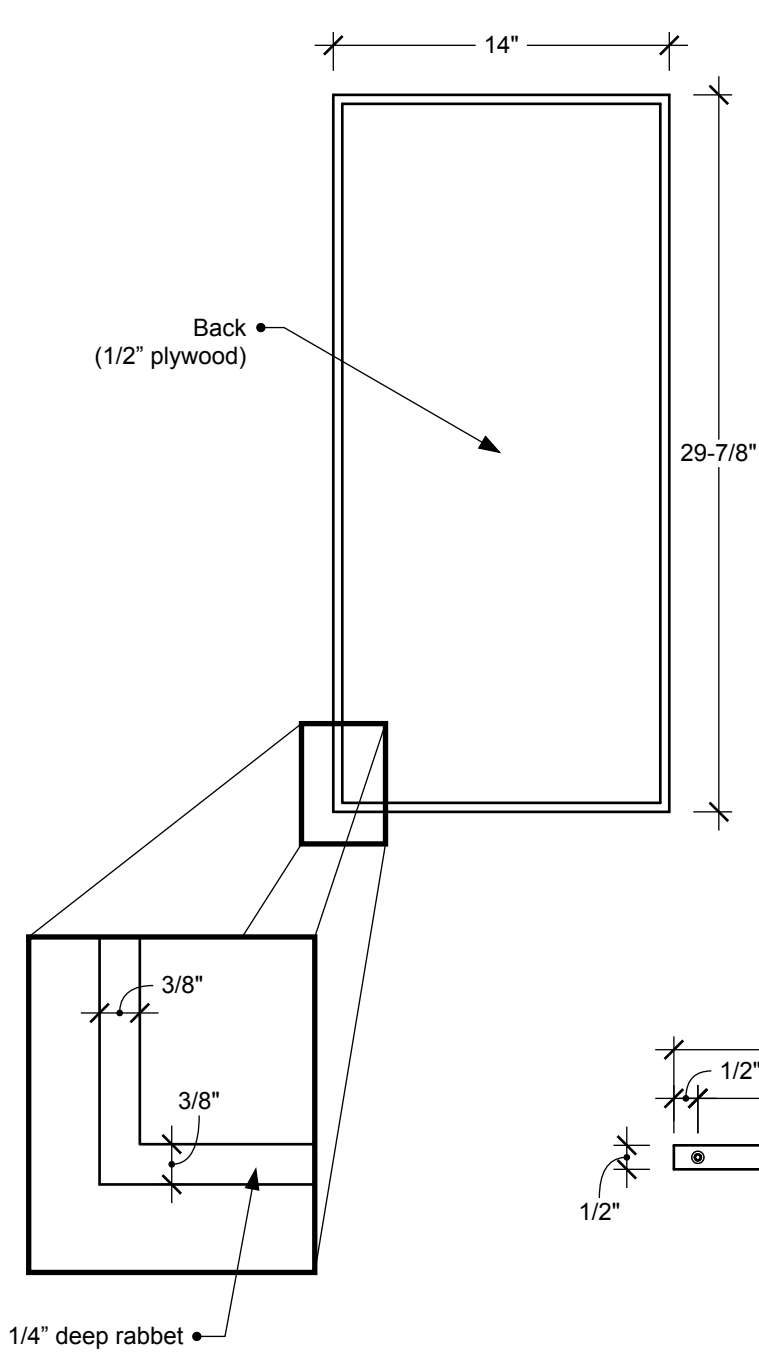
8-Drawer Small Parts Storage

• Spring-Loaded Rectangular
Stainless Steel Handle
(M-C #13165A31)

CLIENT David Kuykendall Lamesa Woodworks
ISSUE 3/15/2016 RE-ISSUE None
PROJECT NO. 245.170 PROJECT Small Parts Drawers
DRAWN BY DK DESCRIPTION Isometric View with extended drawers
W



CLIENT	David Kuykendall Lamesa Woodworks
ISSUE	3/15/2016 RE-ISSUE None
PROJECT NO.	245.170
PROJECT	Small Parts Drawers
DRAWN BY	DK
DESCRIPTION	Right & Left Sides with Bottom & Top
W	
01	



CLIENT
David Kuykendall
Lamesa Woodworks

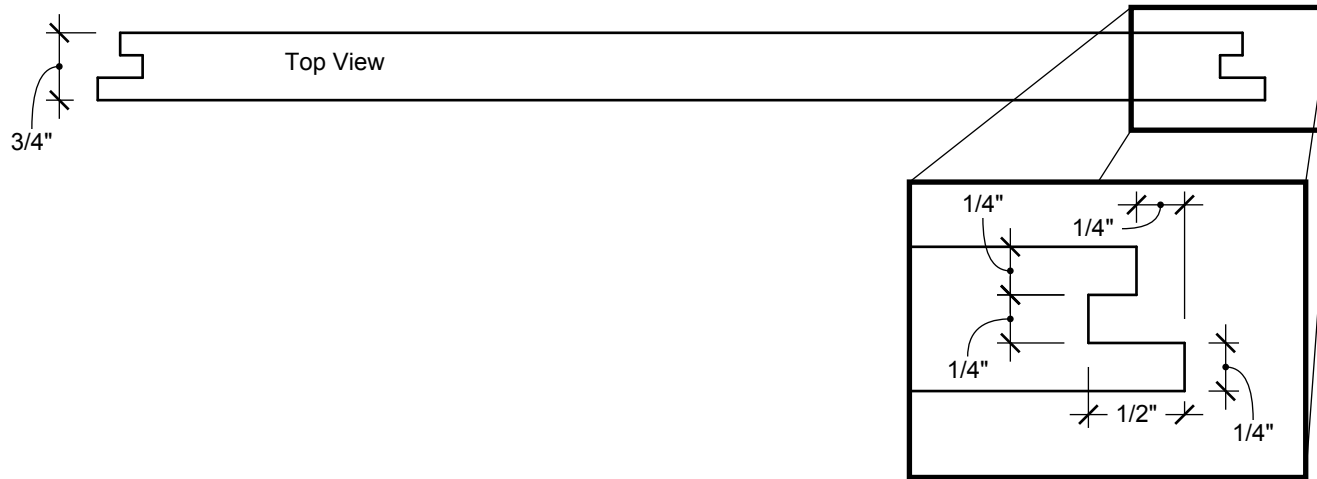
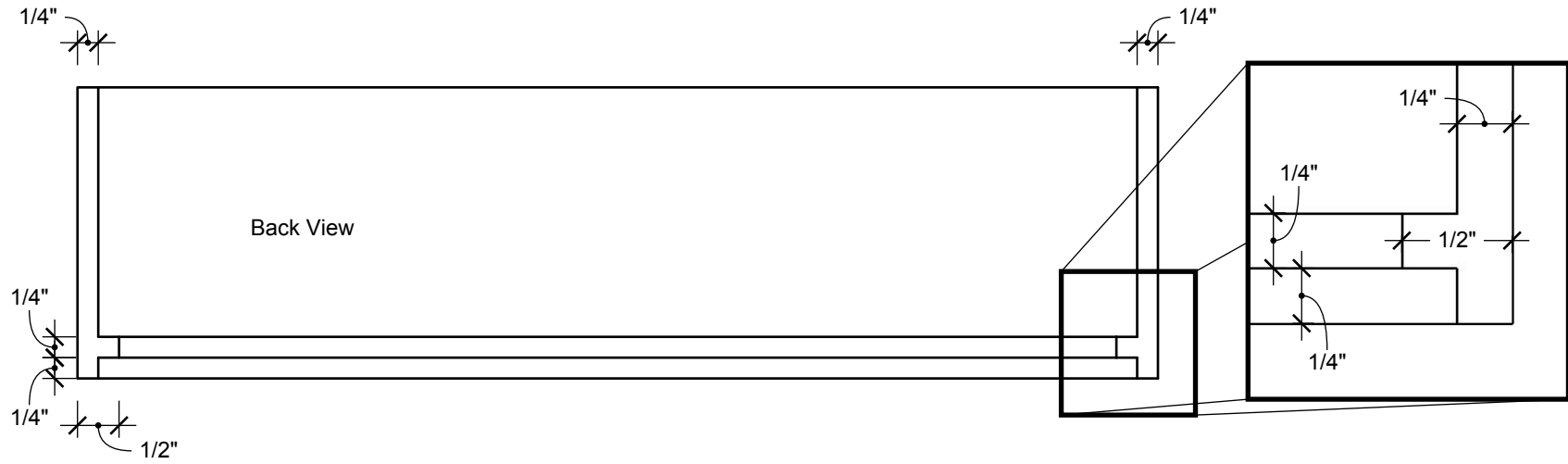
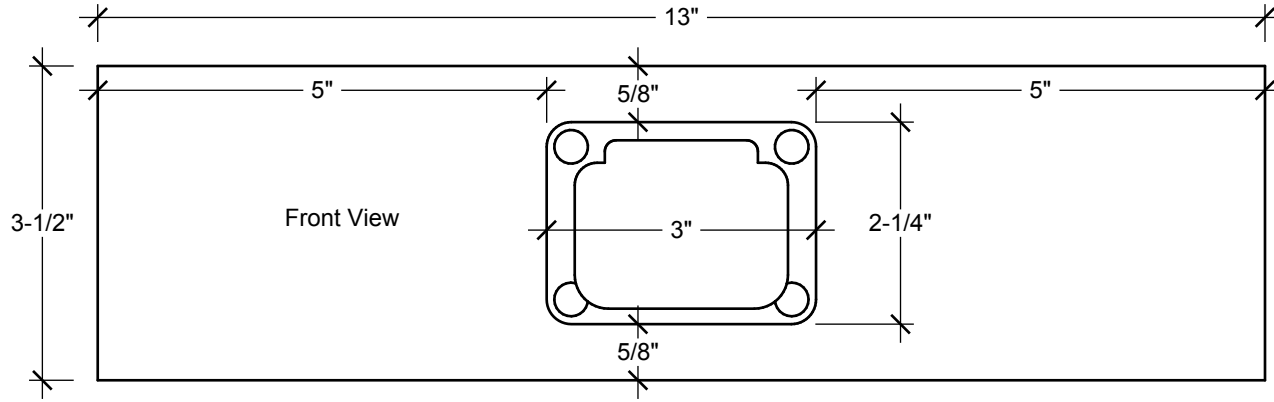
ISSUE
3/15/2016
RE-ISSUE
None

PROJECT NO.
245.170
PROJECT
Small Parts
Drawers

DRAWN BY
DK
DESCRIPTION
Back Panel
and Rails

W

02



CLIENT
David Kuykendall
Lamesa Woodworks

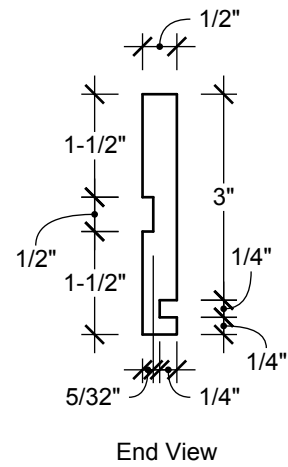
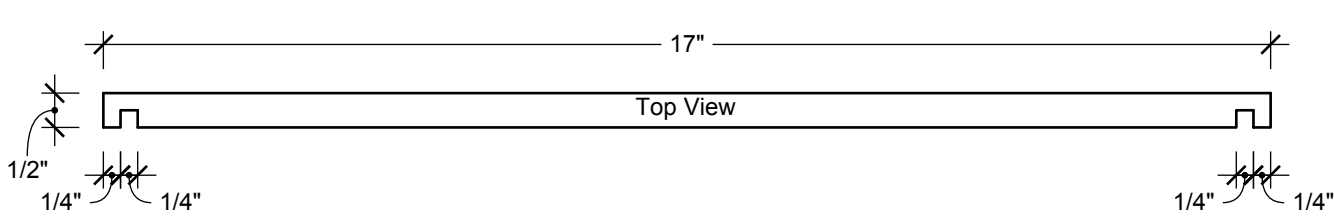
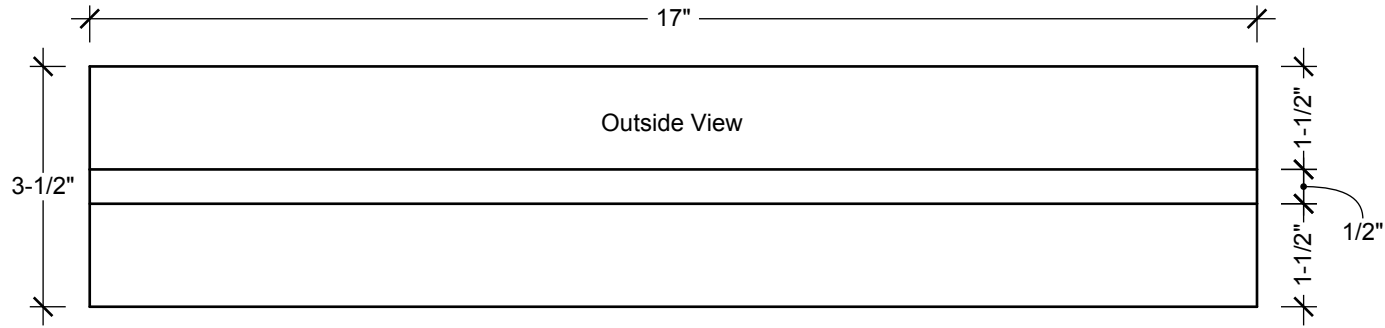
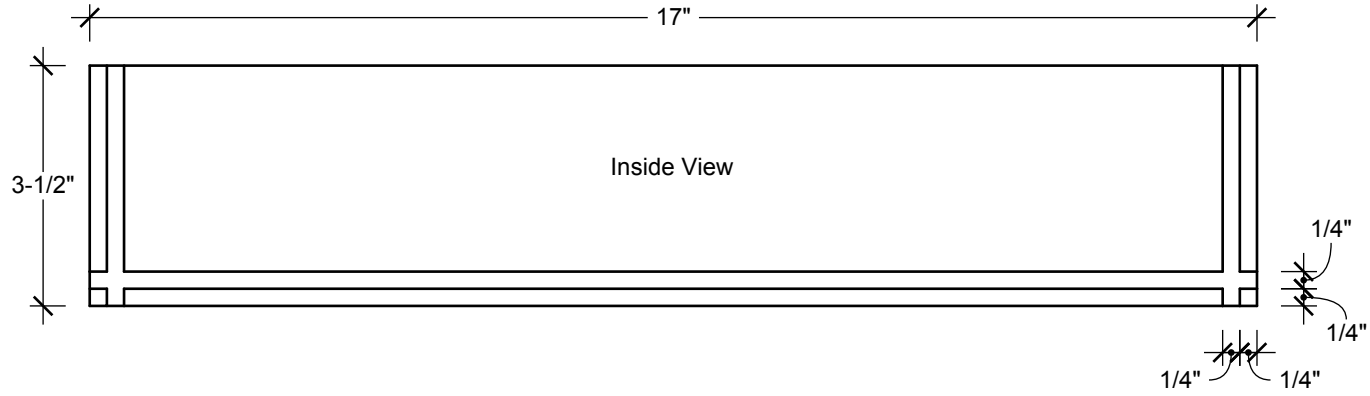
ISSUE
3/15/2016
RE-ISSUE
None

PROJECT NO.
245.170
PROJECT
Small Parts
Drawers

DRAWN BY
DK
DESCRIPTION
Drawer Front

W

03



CLIENT
David Kuykendall
Lamesa Woodworks

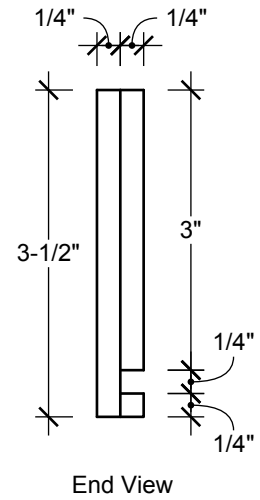
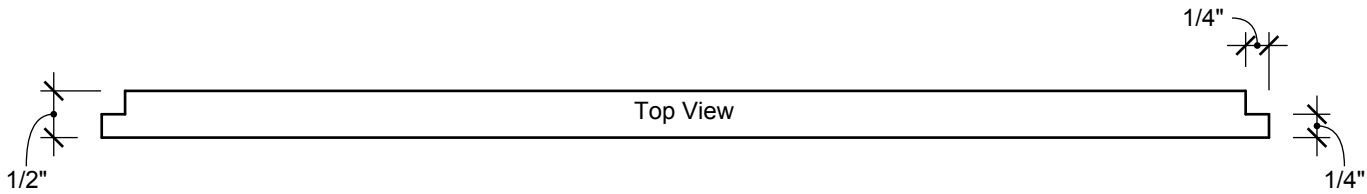
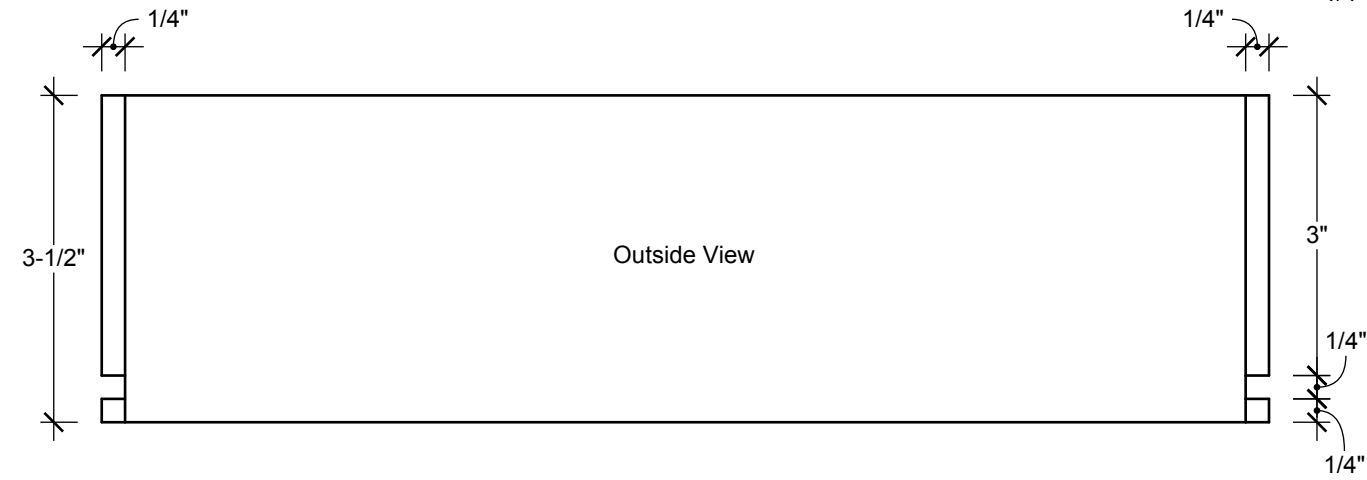
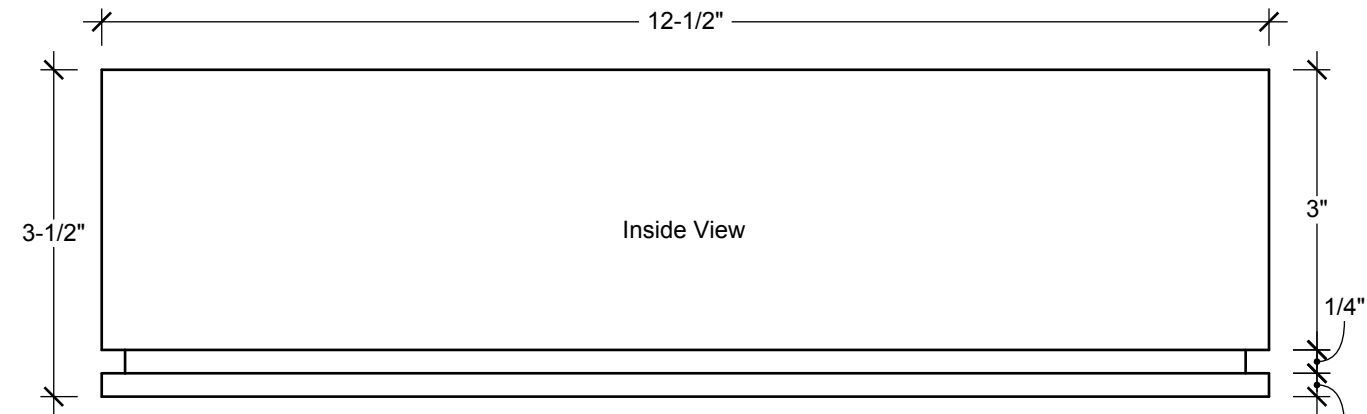
ISSUE
3/15/2016
RE-ISSUE
None

PROJECT NO.
245.170
PROJECT
Small Parts
Drawers

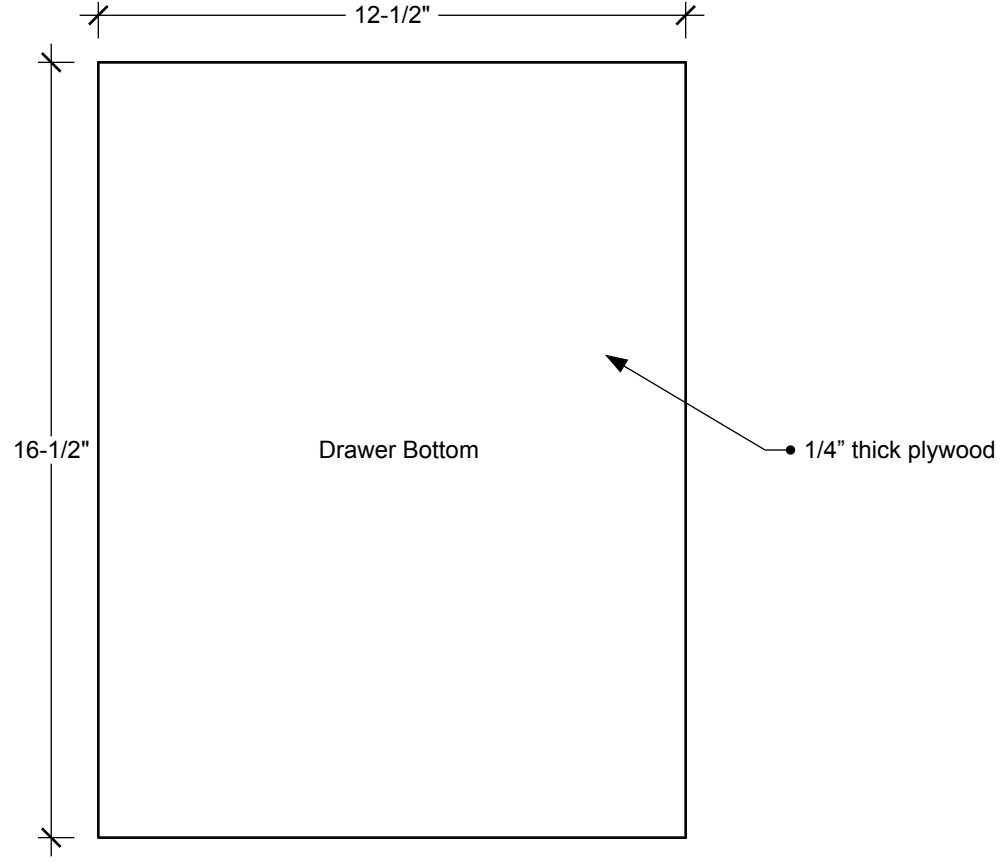
DRAWN BY
DK
DESCRIPTION
Drawer Sides

W

04



CLIENT David Kuykendall Lamesa Woodworks
ISSUE 3/15/2016 RE-ISSUE None
PROJECT NO. 245.170 PROJECT Small Parts Drawers
DRAWN BY DK DESCRIPTION Drawer Back
W
05



DRAWN BY DK	DESCRIPTION Drawer Bottom
----------------	------------------------------

PROJECT NO. 245.170	PROJECT Small Parts Drawers
------------------------	-----------------------------------

ISSUE 3/15/2016	RE-ISSUE None
--------------------	------------------

CLIENT David Kuykendall Lamesa Woodworks
--